

TECHNICAL DATASHEET

ONE-PIECE SEATS DROP



CETA SPA

Registered office: I - 24127 BERGAMO - Via Grumello, 47/49
Telephone +39 035 4548511 - Fax +39 035 261622
Share Capital € 1.850.000,00 fully paid-up
Tax Code/ VAT number 03172560165
Internet: www.ceta.it - Email: ceta@ceta.it

Branch: I - 00131 ROMA - Via delle Case Rosse, 24/a
Telephone + 39 06 97276516 - Fax + 39 06 97276561
Email: ceta.roma@ceta.it



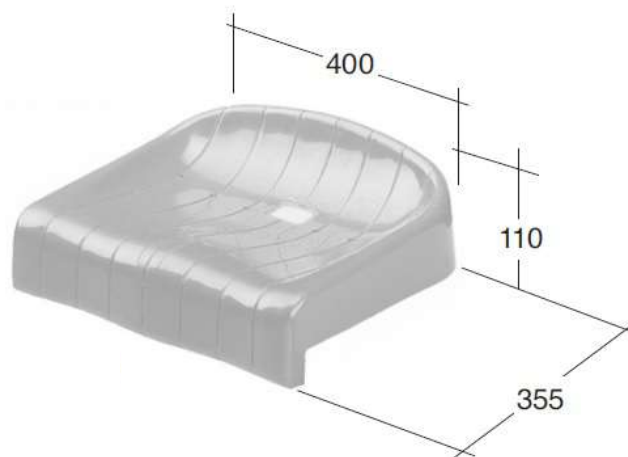


CETA SPA

Registered office: I - 24127 BERGAMO - Via Grumello, 47/49
 Telephone +39 035 4548511 - Fax +39 035 261622
 Share Capital € 1.850,000,00 fully paid-up
 Tax Code/ VAT number 03172560165
 Internet: www.ceta.it - Email: ceta@ceta.it

Branch: I - 00131 ROMA - Via delle Case Rosse, 24/a
 Telephone + 39 06 97276516 - Fax + 39 06 97276561
 Email: ceta.roma@ceta.it





GENERAL CHARACTERISTICS

DENOMINATION	DROP
DIMENSIONS	Width 400 mm Depth 355 mm Height 110 mm
MATERIAL	High density polypropylene copolymer coloured and enhanced with UV-proof substances and fire-retardants
FINISH	Bright gloss
PROCESSING	Injection-moulded, with reinforcement ribs
WATER OUTFLOW	Through the small channels on the surface
FIXING POINTS	N. 2 with immovable closing caps
APPLICATION	On prefabricated stands CETA, on the concrete steps with expansion bolts, on the metal substructures
CAPS ASSEMBLY	Installed by pressure
REACTION TO FIRE	Class 1 (IT)
CONFORMITY TO	EN 12727
FIBA CONFORMITY	Competition Level: 1 & 2

Pag. 3 di 7



CETA SPA

Registered office: I - 24127 BERGAMO - Via Grumello, 47/49
Telephone +39 035 4548511 - Fax +39 035 261622
Share Capital € 1.850,000,00 fully paid-up
Tax Code/ VAT number 03172560165
Internet: www.ceta.it - Email: ceta@ceta.it


Branch: I - 00131 ROMA - Via delle Case Rosse, 24/a
Telephone + 39 06 97276516 - Fax + 39 06 97276561
Email: ceta.roma@ceta.it



OPTIONAL

<p>NUMBERING</p>	<p>Plexiglas plates with indelibly screen-printed number</p> 
<p>SUPPORT STRUCTURE</p>	<p>Hot-galvanized steel frames or painted with epoxy powders</p> 

RANGE OF COLOURS

<p>STANDARD COLOURS</p>	 <p>RED (RAL 3020) GREEN (RAL 6032) YELLOW (RAL 1003) BLUE (RAL 5010)</p>
<p>OTHER COLOURS</p>	<p>For minimum quantity of 500 items or with extra charge</p>

CETA SPA

Registered office: I - 24127 BERGAMO - Via Grumello, 47/49
 Telephone +39 035 4548511 - Fax +39 035 261622
 Share Capital € 1.850,000,00 fully paid-up
 Tax Code/ VAT number 03172560165
 Internet: www.ceta.it - Email: ceta@ceta.it

Branch: I - 00131 ROMA - Via delle Case Rosse, 24/a
 Telephone + 39 06 97276516 - Fax + 39 06 97276561
 Email: ceta.roma@ceta.it



OTHER CHARACTERISTICS



The one-piece seat model DROP without backrest, of glossy brilliant appearance, are made of high-density copolymer polypropylene, paste-coloured and enhanced with **UV proof and fire-retardants substances**.

Self-supporting, they are provided with reinforcing ribs and small channels with holes for favouring rapid drainage of water.

They are **extremely easy to fit**: the one piece injection moulded CETA seats, in fact, are placed directly on the tread of each terrace and fixed by using two galvanised steel expansion bolts protected by special **non-removable caps**. In this way the CETA one-piece seats cannot be removed and comply with all the most recent safety standards.

However, thanks to special steel frames, they can also be fitted **on the riser**: should the terraces have too low riser, the seats can be fitted on steel beams complete with uprights and special bases for fixing to the tread. All metal parts are supplied with hot - dip galvanising protection or (optional) epoxy powder paint protection.



Guarantee Certification

CETA one-piece seats have **Class 1 "Fire reaction"** certification (according to the positive outcome of C.S.E. tests RF 2 / 75 /A and RF 3/ 77 as per Ministerial Decree 26.06.1984, ordinary supplement to Official Gazette n.234 dated 25.08.1984). They also offered excellent results in weather and UV-ray tests, with more than 1000 hours subjected to the Xenotest, and to mechanical tests made by CATAS - Centre for Research and Development. They comply with EN 12727 Standards.

Seat number plate

The one- piece seats can be numbered (optional) with Plexiglas plates fixed directly to these with a permanent holding device, the number being silk -screen printed and so indelible.

Colour range

CETA one- piece "DROP" seats come in: red (RAL 3020), green (RAL 6032), yellow (RAL 1003) and blue (RAL 5010). Also available in other colours with minimum orders of 500 seats.



Pag. 5 di 7

CETA SPA

Registered office: I - 24127 BERGAMO - Via Grumello, 47/49
Telephone +39 035 4548511 - Fax +39 035 261622
Share Capital € 1.850,000,00 fully paid-up
Tax Code/ VAT number 03172560165
Internet: www.ceta.it - Email: ceta@ceta.it

Branch: I - 00131 ROMA - Via delle Case Rosse, 24/a
Telephone + 39 06 97276516 - Fax + 39 06 97276561
Email: ceta.roma@ceta.it



REFERENCES



BRESCIA CALCIO STADIUM M. RIGAMONTI

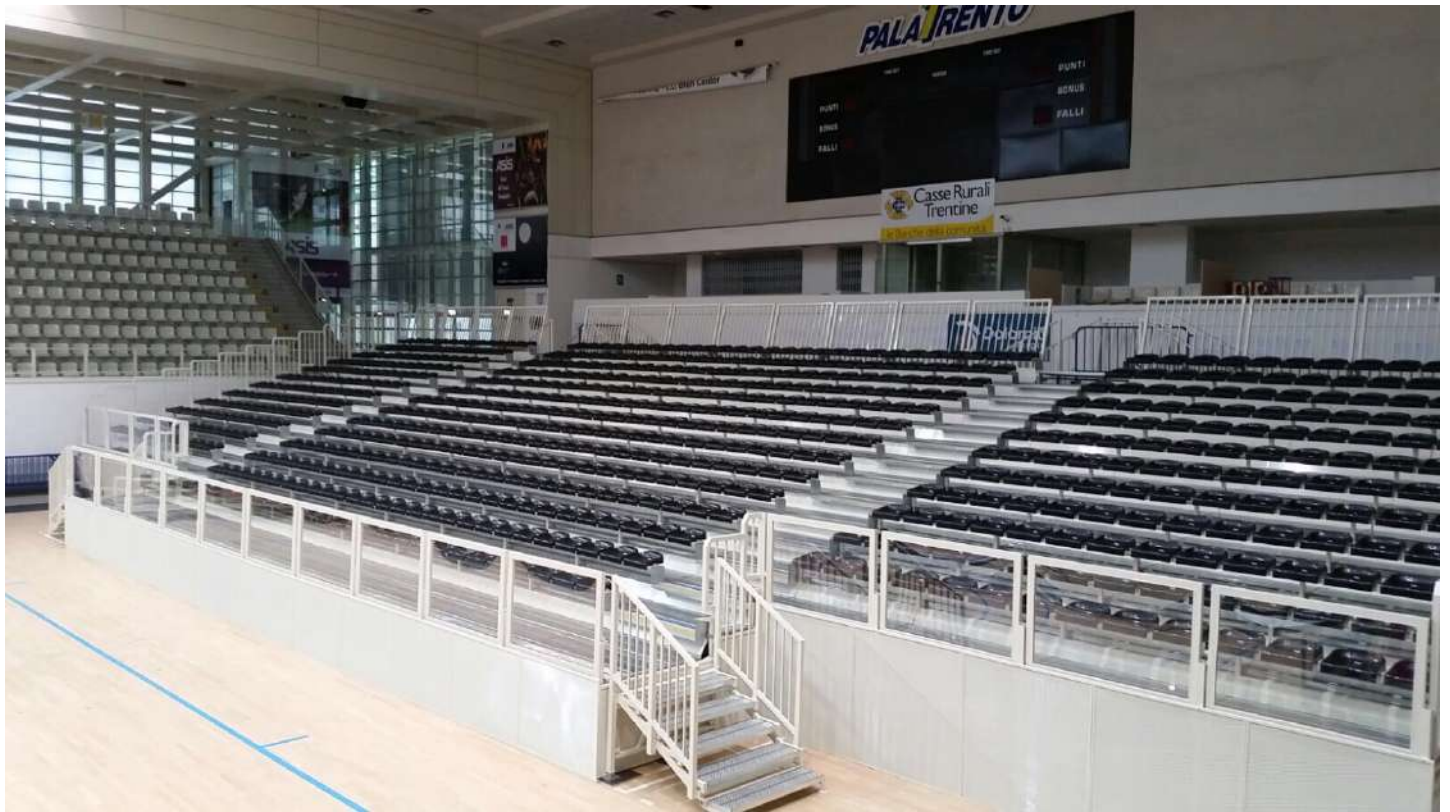


CETA SPA

Registered office: I - 24127 BERGAMO - Via Grumello, 47/49
Telephone +39 035 4548511 - Fax +39 035 261622
Share Capital € 1.850,000,00 fully paid-up
Tax Code/ VAT number 03172560165
Internet: www.ceta.it - Email: ceta@ceta.it

Branch: I - 00131 ROMA - Via delle Case Rosse, 24/a
Telephone + 39 06 97276516 - Fax + 39 06 97276561
Email: ceta.roma@ceta.it





BLM GROUP ARENA - PALATRENTO



CANOTTIERI CASALE AS.S.D. - CASALE MONFERATO



SPORTS CENTER LACHIARELLA

CETA SPA

Registered office: I - 24127 BERGAMO - Via Grumello, 47/49
 Telephone +39 035 4548511 - Fax +39 035 261622
 Share Capital € 1.850,000,00 fully paid-up
 Tax Code/ VAT number 03172560165
 Internet: www.ceta.it - Email: ceta@ceta.it

Branch: I - 00131 ROMA - Via delle Case Rosse, 24/a
 Telephone + 39 06 97276516 - Fax + 39 06 97276561
 Email: ceta.roma@ceta.it

