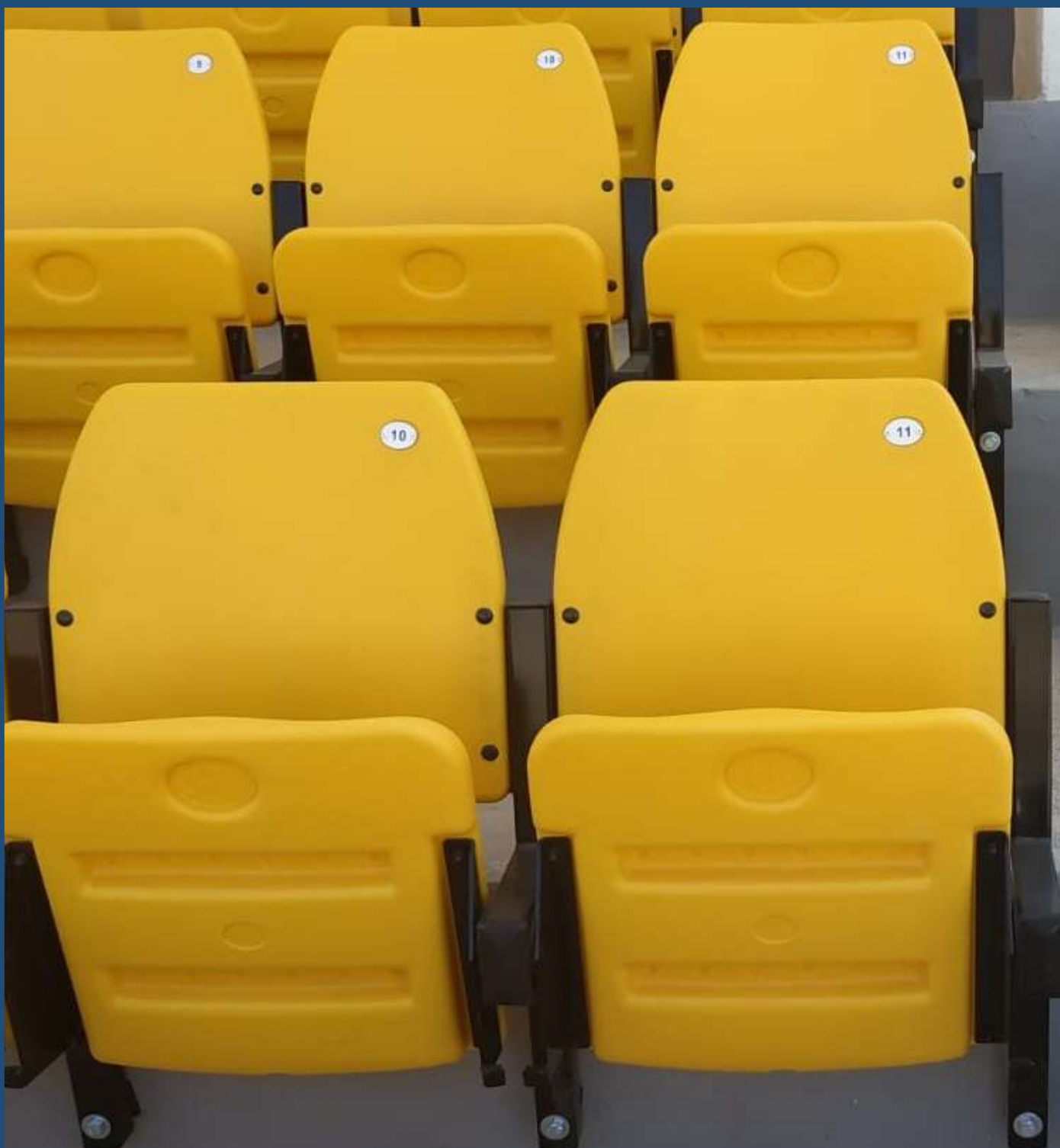


TECHNICAL DATASHEET

ALL STARS CHAIRS



CETA SPA

Registered office: I - 24127 BERGAMO -Via Grumello, 47/49
Telephone +39 035 4548511 - Fax +39 035 261622
Share Capital € 1.850,000,00 fully paid-up
Tax Code/ VAT number 03172560165
Internet: www.ceta.it - Email: ceta@ceta.it

Branch: I - 00131 ROMA -Via delle Case Rosse, 24/a
Telephone + 39 06 97276516 - Fax + 39 06 97276561
Email: ceta.roma@ceta.it



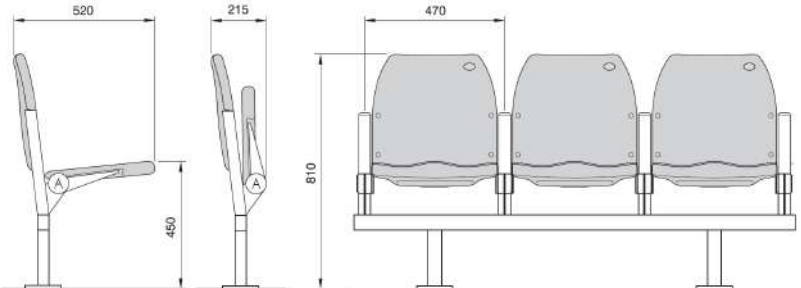


CETA SPA

Registered office: I - 24127 BERGAMO - Via Grumello, 47/49
 Telephone +39 035 4548511 - Fax +39 035 261622
 Share Capital € 1.850,000,00 fully paid-up
 Tax Code/ VAT number 03172560165
 Internet: www.ceta.it - Email: ceta@ceta.it

Branch: I - 00131 ROMA - Via delle Case Rosse, 24/a
 Telephone + 39 06 97276516 - Fax + 39 06 97276561
 Email: ceta.roma@ceta.it





GENERAL CHARACTERISTICS

DENOMINATION	ALL STARS
DIMENSIONS	Width 470 mm Depth 520 mm (open), 215 mm (closed) Height 810 mm
MATERIAL	High density copolymer polypropylene coloured and enhanced with UV-proof, antistatic substances and fire-retardants
FINISH	Embossed
PROCESSING	Blow-moulded, with reinforcement ribs
SITTING	Tip-up seats with automatic spring device
APPLICATION	Fitted to risers of the terraces through steel frames or fitted in groups on beams. On telescopic stands fitted on tip-up beams.
CONFORMITY TO	EN 12727
REACTION TO FIRE	Class 1 (IT)
FIBA CONFORMITY	Competition Level: 1 & 2

CETA SPA

Registered office: I - 24127 BERGAMO - Via Grumello, 47/49
Telephone +39 035 4548511 - Fax +39 035 261622
Share Capital € 1.850,000,00 fully paid-up
Tax Code/ VAT number 03172560165
Internet: www.ceta.it - Email: ceta@ceta.it

Branch: I - 00131 ROMA - Via delle Case Rosse, 24/a
Telephone + 39 06 97276516 - Fax + 39 06 97276561
Email: ceta.roma@ceta.it



OPTIONAL

NUMBERING

Plexiglas plates with indelibly screen-printed number and row identification tags.



RANGE OF COLOURS

STANDARD COLOURS



RED (RAL 3020)



GREEN (RAL 6032)



YELLOW (RAL 1003)



BLUE (RAL 5010)

OTHER COLOURS

For minimum quantity of 500 items or with extra charge

CETA SPA

Registered office: I - 24127 BERGAMO - Via Grumello, 47/49

Telephone +39 035 4548511 - Fax +39 035 261622

Share Capital € 1.850,000,00 fully paid-up

Tax Code/ VAT number 03172560165

Internet: www.ceta.it - Email: ceta@ceta.it

Branch: I - 00131 ROMA - Via delle Case Rosse, 24/a

Telephone + 39 06 97276516 - Fax + 39 06 97276561

Email: ceta.roma@ceta.it



OTHER CHARACTERISTICS



A perfect synthesis between ergonomics and practicality, these chairs are blow-moulded using high density copolymer polypropylene, pastecoloured and enriched with UV-proof and antistatic substances and fireretardants.

Self-supporting and fitted with ribbing for extra strength, the chairs consist of separate seats and back with an embossed-effect surface thanks to photoengraving during moulding.

Thanks to their modern ergonomic shape and thickness, these chairs are more comfortable than an usual plastic seat and can even be fitted with fixed or tip-up armrests on request.

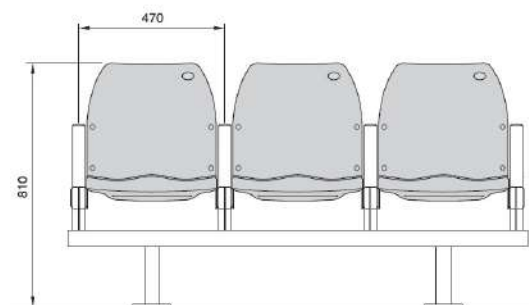
The tip-up seats make it easier for people to pass and involve or an automatic spring device, or they close thanks to gravity in the case of tip-up chairs with armrests. In fact, the armrest have springs that always tip up automatically together with the seat.

In the city and indoor stadiums, these chairs are normally fitted to risers of the terraces though steel frames or, as in parterres, they are fitted in groups on beams (with PVC caps) fixed to the floor or self-stabilising. In the telescopic stands the chairs are fitted on tip-up beams (fitted to the rear of the tread board) and disappear from view when the telescopic stand is closed.

The steel parts are normally painted black with epoxy powders: on request they can also be supplied in other colours or hot galvanised. Seat number plate

Guarantee Certification

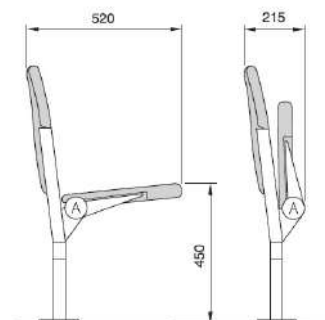
CETA "All Stars" have Class 1 "Fire reaction" certification (according to the positive outcome of C.S.E. tests RF 2/75/A and RF 3/ 77 as per Ministerial Decree 26.06.1984, ordinary supplement to Official Gazette n. 234 dated 25.08.1984). They also offered excellent results in weather and UVray tests, with more than 1000 hours subjected to the Xenotest, and to mechanical tests made by CATAS - Centre for Research and Development.



Seat number plate

"All Stars" chairs can be numbered (optional) with Plexiglas plates fixed to either the underside of the seat or to the front or rear of the back, the number being silk-screen printed making it indelible.

Plates identifying the row or sector are also possible.



Colour range

Standard colours for "All Stars" chairs are: red (RAL 3020), green (RAL 6032), yellow (RAL 1003) and blue (RAL 5010). Also available in other colours with minimum orders of 500 seats.



CETA SPA

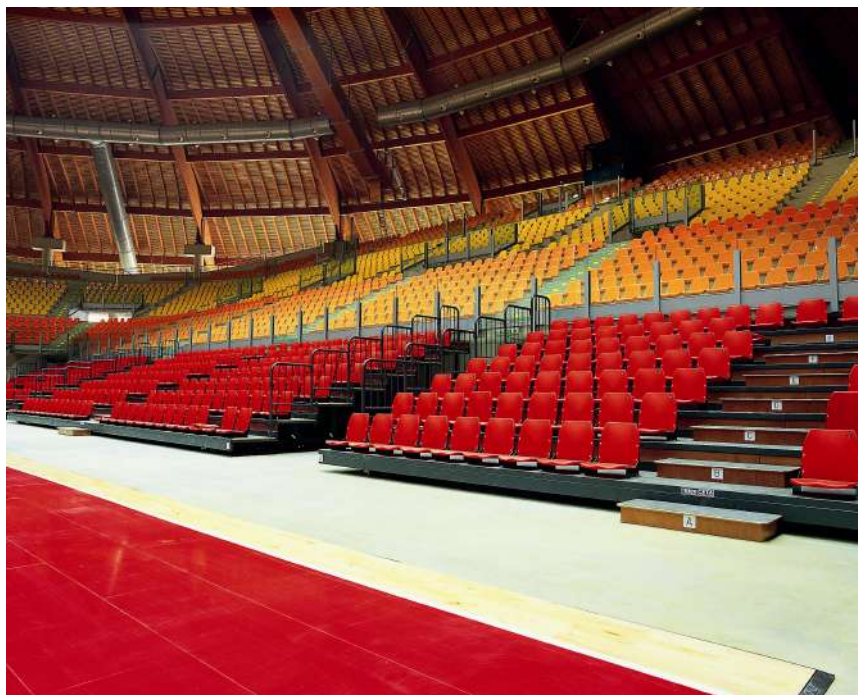
Registered office: I - 24127 BERGAMO - Via Grumello, 47/49
Telephone +39 035 4548511 - Fax +39 035 261622
Share Capital € 1.850,000,00 fully paid-up
Tax Code/ VAT number 03172560165
Internet: www.ceta.it - Email: ceta@ceta.it

Branch: I - 00131 ROMA - Via delle Case Rosse, 24/a
Telephone + 39 06 97276516 - Fax + 39 06 97276561
Email: ceta.roma@ceta.it

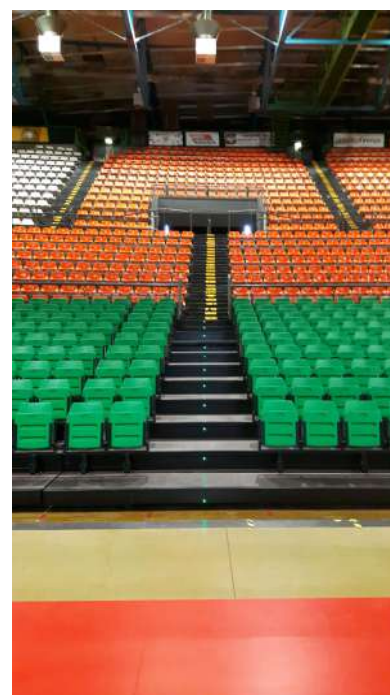


REFERENCES

*SPORTS HALL
PALALIVORNO – LIVORNO*



*NELSON MANDELA
FORUM – FIRENZE*



PARISH SACRO CUORE (VI)



MUNICIPAL STADIUM MONTERISI CERIGNOLA (FG)



CETA SPA

Registered office: I - 24127 BERGAMO - Via Grumello, 47/49
Telephone +39 035 4548511 - Fax +39 035 261622
Share Capital € 1.850,000,00 fully paid-up
Tax Code/ VAT number 03172560165
Internet: www.ceta.it - Email: ceta@ceta.it

Branch: I - 00131 ROMA - Via delle Case Rosse, 24/a
Telephone + 39 06 97276516 - Fax + 39 06 97276561
Email: ceta.roma@ceta.it



SPORTS HALL - SIVIGLIA



SPORTS HALL - TRENTO



CETA SPA

Registered office: I - 24127 BERGAMO - Via Grumello, 47/49
Telephone +39 035 4548511 - Fax +39 035 261622
Share Capital € 1.850,000,00 fully paid-up
Tax Code/ VAT number 03172560165
Internet: www.ceta.it - Email: ceta@ceta.it

Branch: I - 00131 ROMA - Via delle Case Rosse, 24/a
Telephone + 39 06 97276516 - Fax + 39 06 97276561
Email: ceta.roma@ceta.it

