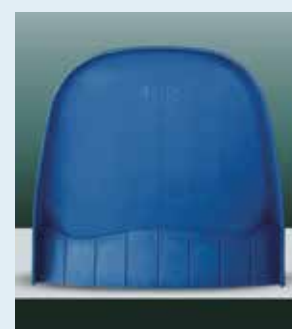
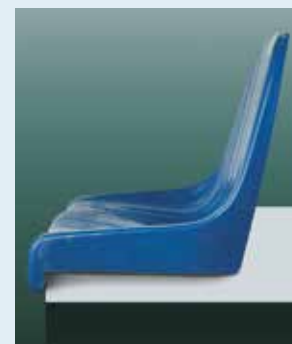


SEATS CETA

ONE PIECE SEATS SET



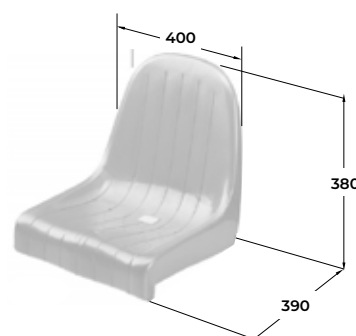
DISCOVER MORE



GENERAL CHARACTERISTICS

Denomination	SET
Dimensions	Width: 400 mm Depth: 390 mm Height: 380 mm
Material	High density polypropylene copolymer coloured and enhanced with UV-proof substances and fire-retardants
Finish	Bright gloss
Processing	Injection-moulded, with reinforcement ribs
Water outflow	Through the small channels on the surface
Fixing points	N. 2 with immovable closing caps
Application	On prefabricated stands CETA, on the concrete steps with expansion bolts, on the metal substructures
Caps assembly	Installed by pressure
Reaction to fire	Classe 1 (IT)
Conformity to	EN 12727
Fiba conformity	Competition Level: 1 & 2

TECHNICAL DRAWING



RANGE OF COLOURS

CETA one-piece "SET" seats come in: red, green, yellow and blue. Also available in other colours with minimum orders of 500 seats.



RED
(RAL 3020)



BLUE
(RAL 5010)



YELLOW
(RAL 1003)



GREEN
(RAL 6032)



CETA SPA
Registered office: 24127 Bergamo - Via Grumello, 47/49
Tel. 39 035 45 48 511 | Fax. +39 035 261 622
ceta@ceta.it | www.ceta.it



OTHER CHARACTERISTICS

The one-piece seats model SET with high backrest of **cm 38**, of glossy brilliant appearance, are made of high-density copolymer polypropylene, paste-coloured and enhanced with **UV proof and fire-retardants substances**.

Self-supporting, they are provided with reinforcing ribs and small channels with holes for favouring rapid drainage of water.

They are extremely easy to fit: the one-piece injection moulded CETA seats, in fact, are placed directly on the tread of each terrace and fixed by using two galvanised steel expansion bolts protected by special **non-removable caps**.

In this way the CETA one-piece seats cannot be removed and comply with all the most recent safety standards.

However, thanks to special steel frames, **they can also be fitted on the riser:** should the terraces have too low riser, the seats can be fitted on steel beams complete with uprights and special bases for fixing to the tread.

All metal parts are supplied with hot-dip galvanising protection or (optional) epoxy powder paint protection.



SUPPORT STRUCTURE - OPTIONAL

Hot-galvanized steel frames or painted with epoxy powders.



NUMBERING - OPTIONAL

The one-piece seats can be numbered (optional) with Plexiglas plates fixed directly to these with a permanent holding device, the number being silk-screen printed and so indelible.



GUARANTEE CERTIFICATION

CETA one-piece seats have **Class 1 "Fire reaction" certification** (according to the positive outcome of C.S.E. tests RF 2/75/A and RF 3/77 as per Ministerial Decree 26.06.1984, ordinary supplement to Official Gazette n.234 dated 25.08.1984). They also offered excellent results in weather and UV-ray tests, with more than 1000 hours subjected to the Xenotest, and to mechanical tests made by CATAS - Centre for Research and Development. They comply with EN 12727 Standards.



REFERENCES

CARPI F.C. 1909 SRL STADIUM S. CABASSI
CARPI



SPORTS PALACE PALA COCCIA
MUNICIPALITY OF VEROLI



ATALANTA BERGAMASCA CALCIO - TRAINING CENTER
ZINGONIA



A.C. CHIEVERONA STADIUM M. BENTEGODI
(VR)

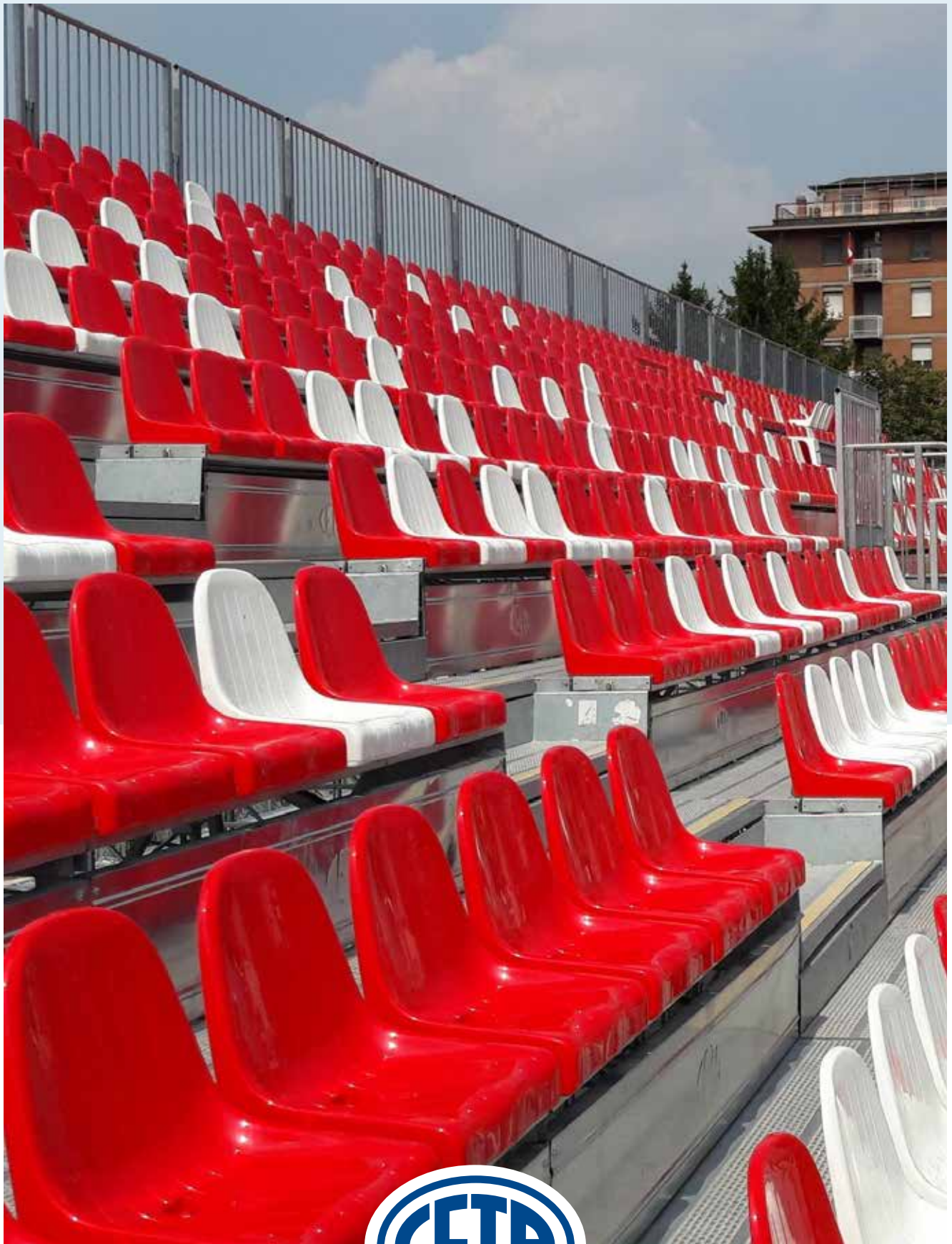


S.P.A.L. 2013 SRL - STADIUM PAOLO MAZZA
FERRARA



CETA SPA
Registered office: 24127 Bergamo - Via Grumello, 47/49
Tel. 39 035 45 48 511 | Fax. +39 035 261 622
ceta@ceta.it | www.ceta.it





CETA SPA

Registered office: 24127 Bergamo - Via Grumello, 47/49

Tel. 39 035 45 48 511 | Fax. +39 035 261 622

ceta@ceta.it | www.ceta.it

